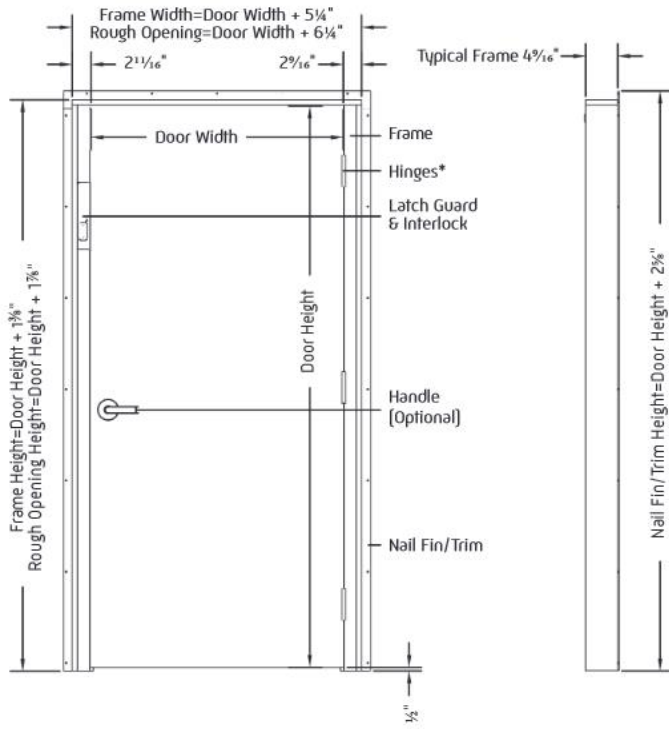
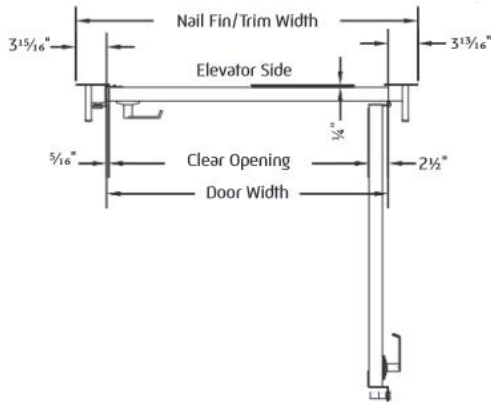


NEF DESIGN DRAFTING ROWHOUZ REMIX ELEVATOR DESIGN OPTIONS



Flush Door

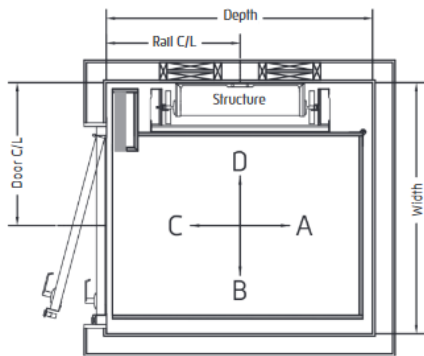


Latch Guard
[Exterior View]



Electro-Mechanical
Interlock [EMDL]





Single Opening
 Rail Left, Right-Hand Door (shown)
 Rail Right, Left-Hand Door (opposite)

Car Gate/ Door	Car Size	Width	Depth	Rail C/L	Door C/L	Clear Opening
Accordion or Collapsible (2)	36X48	50½"	54¼"	27½"	28¾"	33½"
	36X60	50½"	66¼"	33½"	28¾"	33½"
	40X54	54½"	60¼"	32"	32¾"	33½" (3)
Symmetry Safety 3-Panel (shown)	36X48	52"	55"	31"	30¼"	33"
	36X60	52"	67"	33½"	30¼"	33"
	40X54	54½"	61"	31"	32¾"	33" (3)

Other elevator ideas, free cad blocks as shown above, and to expand your design awareness:

<https://www.arcat.com/content-type/cad/14/residential-elevators-142010>

<https://www.roysrise.com/custom-elevator-design-and-5-key-factors-to-consider/>